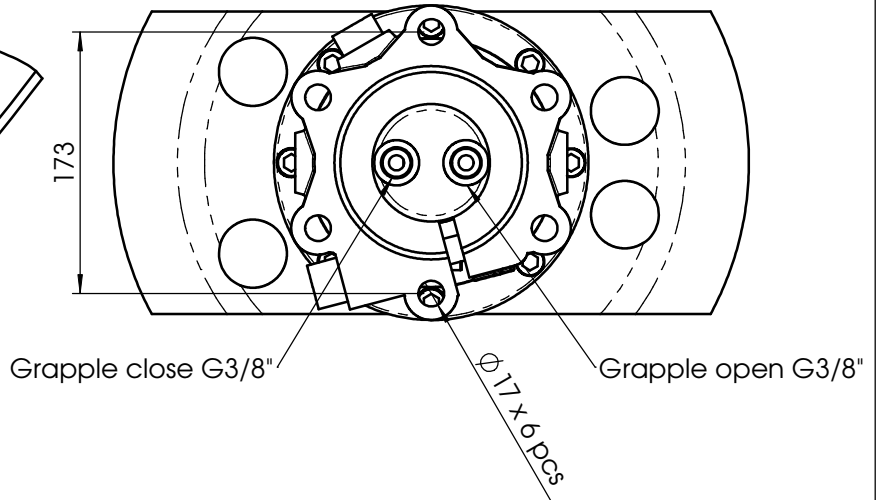
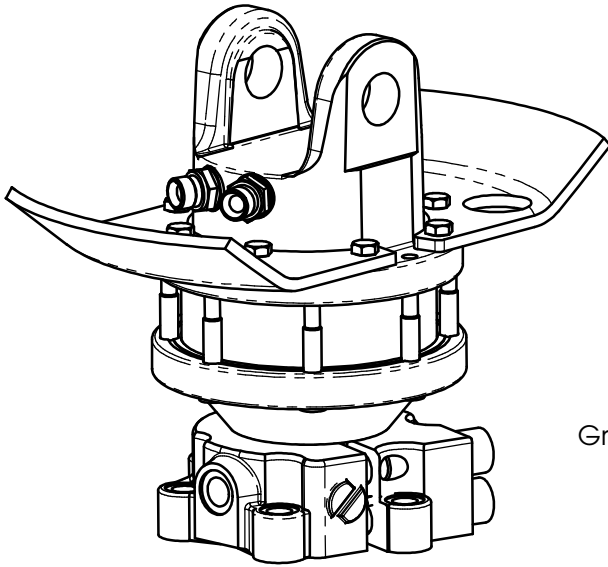
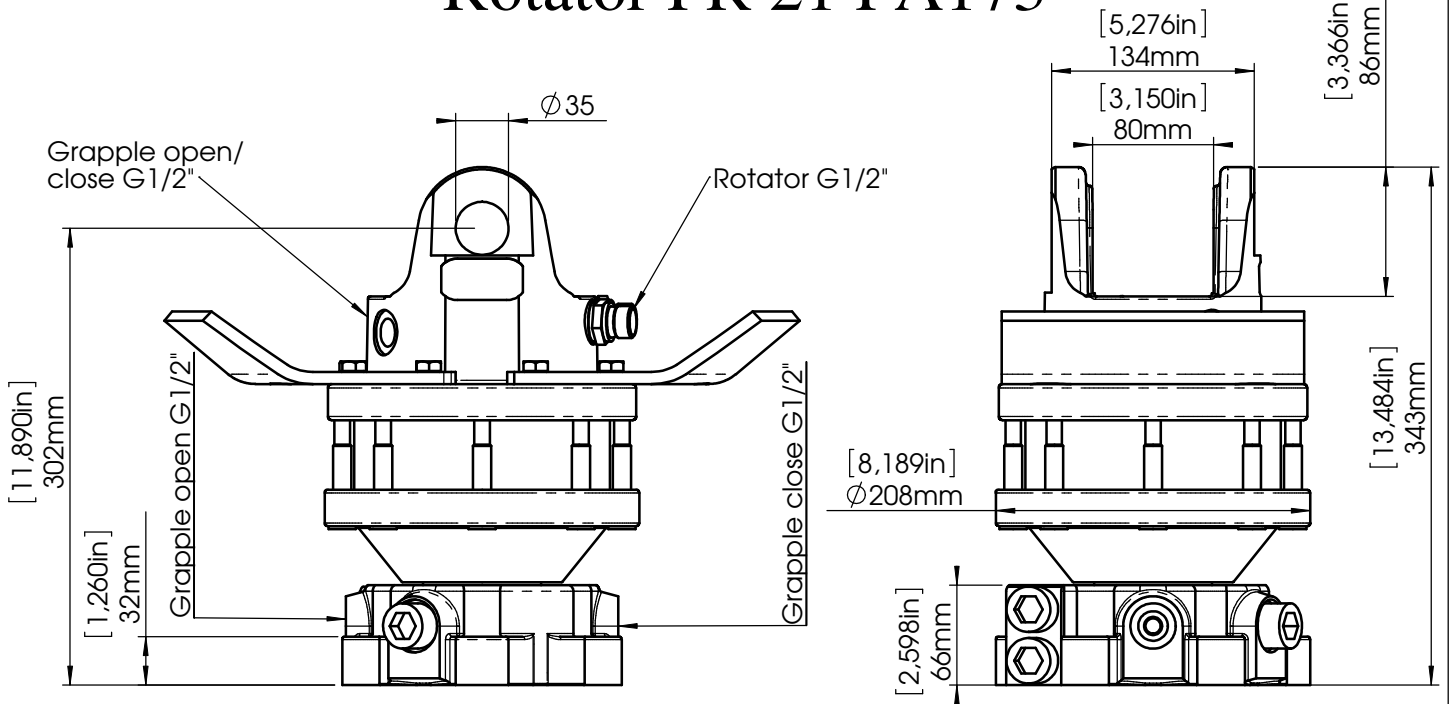
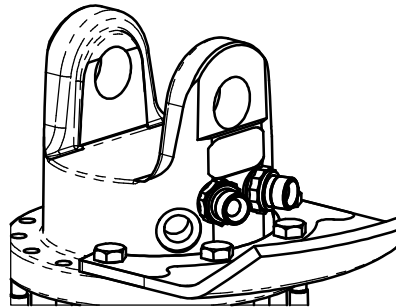


Rotator FR 21 FA173

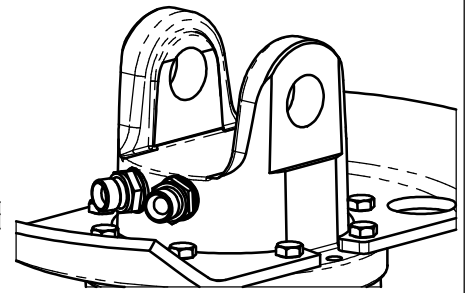


FR 21 B173	
Rotation angle	Unlimited
Max. working pressure	200 bar
Displacement	543 cm ³
Torque (200 bar)	1350 Nm
Max. axial force	100 kN
Safe working load	5000 kg
Weight	48 kg

Direction W



Direction X



Basic models				
Item	Name	Direction	D1	Flange
12121	FR 21-X35FA173	X	35	FA173
12122	FR 21-W35FA173	W	35	FA173